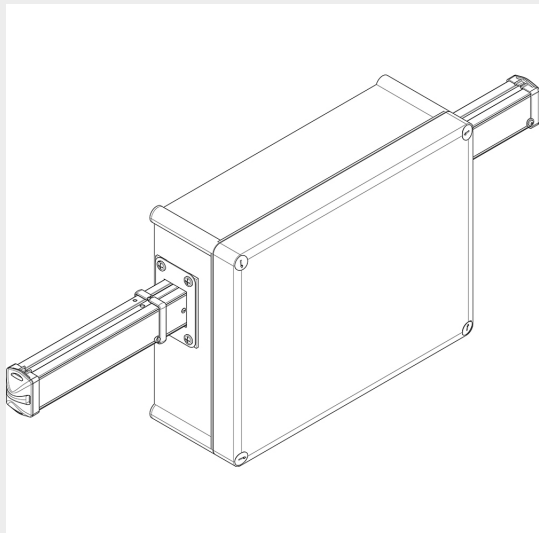




BTICINO &gt; ZUCCHINI busbar &gt; LB PLUS &gt; Feed units




75241151


Intermediate feed unit version 63 4 conductors

## Technical features

Protection index	IP55
Standard reference	CEI EN 61439-6
Rated voltage	400V
Rated current	63A
Series	Lbplus

## Documentation

 [Instructions Sheet](#)

 [Busbar catalogue](#)

## Related products



**75440111H**

Straight element LB PLUS 634 (Type B) 4 conductors In=63 A - IP55 - length 1,5 m - 1+1 outlets



**75240102**

Straight element LB PLUS 634 (Type A) 4 conductors In=63 A - IP55 - length 3 m - 4+4 outlets



**75240101**

Straight element LB PLUS 634 (Type A) 4 conductors In=63 A - IP55 - length 3 m - 2+2 outlets



**75440102H**

Straight element LB PLUS 634 (Type B) 4 conductors In=63 A - IP55 - length 3 m - 6+6 outlets



**75240111**

Straight element LB PLUS 634 (Type A) 4 conductors In=63 A - IP55 - length 1,5 m - 1+1 outlets



**75440101H**

Straight element LB PLUS 634 (Type B) 4 conductors In=63 A - IP55 - length 3 m - 4+4 outlets