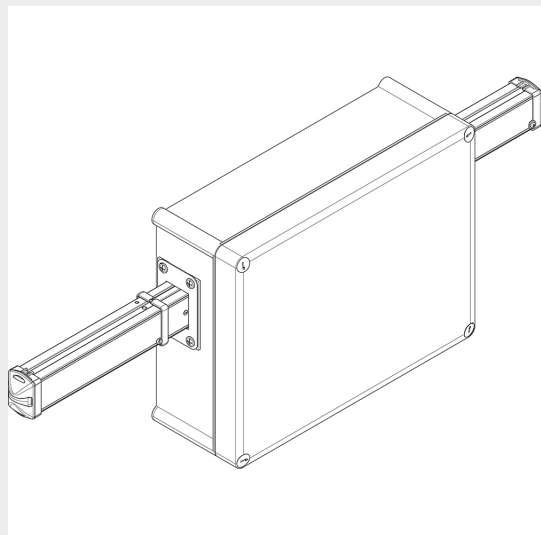


BTICINO > ZUCCHINI busbar > Low power busbar > LB PLUS > Feed units


**75201151**

Intermediate feed unit version 40 4 conductors

Technical features

Brand	BTicino
Standard reference	CEI EN 61439-6
Rated voltage	400Vac
Rated current	40A
Protection index	IP55
Series	Lbplus

Documentation

 [Instruction Sheet](#) [Busbar catalogue](#)

Related products



75200101

Straight element LB PLUS 404 (Type A) 4 conductors In=40 A - IP55 - length 3 m - 2 outlets



75400103H

Straight element LB PLUS 404 (Type B) 4 conductors In=40 A - IP55 - length 3 m - 6 outlets



75200111

Straight element LB PLUS 404 (Type A) 4 conductors In=40 A - IP55 - length 1,5 m - 2 outlets



75400102H

Straight element LB PLUS 404 (Type B) 4 conductors In=40 A - IP55 - length 3 m - 4 outlets



75400111H

Straight element LB PLUS 404 (Type B) 4 conductors In=40 A - IP55 - length 1,5 m - 2 outlets



75200102

Straight element LB PLUS 404 (Type A) 4 conductors In=40 A - IP55 - length 3 m - 4 outlets