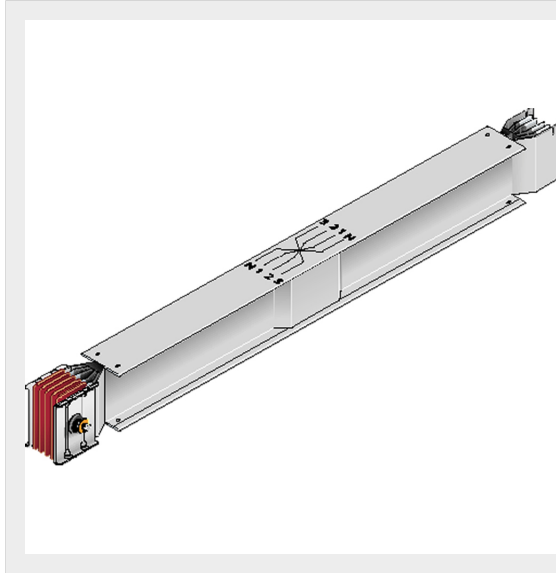


BTICINO &gt; ZUCCHINI busbar &gt; High power busbar &gt; SCP Supercompact &gt; Phase inversion straight elements


**65397125P**

Transposition straight element SCP Cu - In= 3200A - double bar

## Technical features

Brand	BTicino
Standard reference	CEI EN 61439-6
Rated voltage	1000Vac
Rated current	3200A
Protection index	IP55
Series	SCP

## Documentation

 [Busbar catalogue](#)