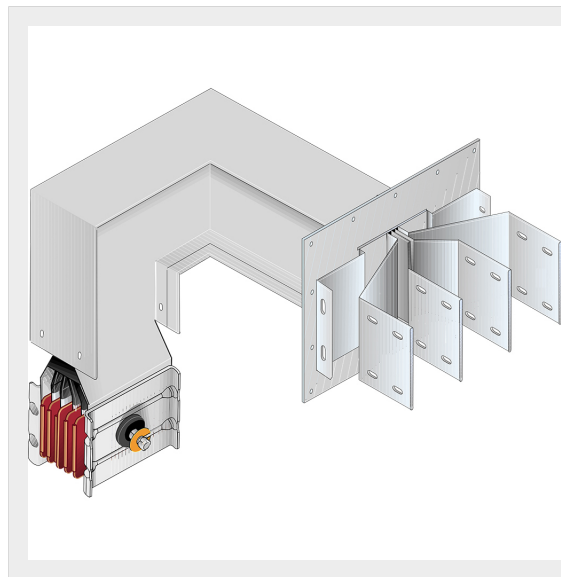




BTICINO > ZUCCHINI busbar > SCP Supercompact > Connection interface with horizontal + vertical elbow



65391656P

Busbar outlet element with horizontal + vertical elbow for busbar SCP - Type 6 Cu - In= 4000A - double bar

Technical features

Protection index	IP55
Standard reference	CEI EN 61439-6
Rated voltage	1000V
Rated current	4000A
Series	SCP

Documentation

 [Busbar catalogue](#)