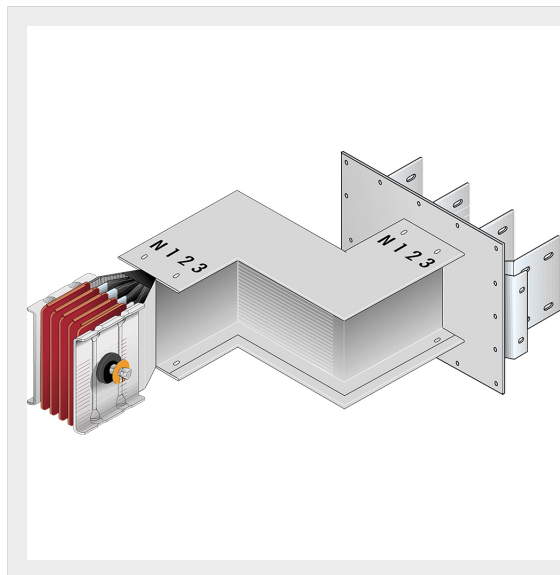


BTICINO > ZUCCHINI busbar > High power busbar > SCP Supercompact > Connection interface with double horizontal elbow



65391368P

Busbar outlet element with double horizontal elbow for busbar SCP - Type 3 Cu - In= 5000A - double bar

Technical features

Brand	BTicino
Standard reference	CEI EN 61439-6
Rated voltage	1000V
Rated current	5000A
Protection index	IP55
Series	SCP

Documentation

 [Busbar catalogue](#)