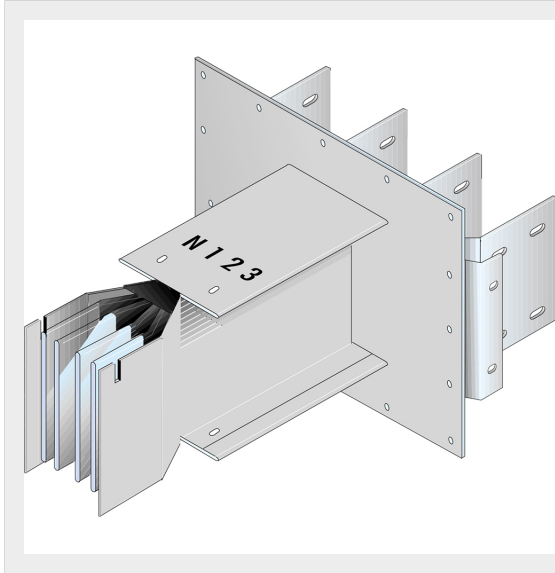




BTICINO > ZUCCHINI busbar > SCP Supercompact > Standard connection interface




65391028P

Busbar outlet element (right) for busbar SCP Type 2 - special Cu  
- In= 5000A - double bar

## Technical features

Protection index	IP55
Standard reference	CEI EN 61439-6
Rated voltage	1000V
Rated current	5000A
Series	SCP

## Documentation

 [Busbar catalogue](#)