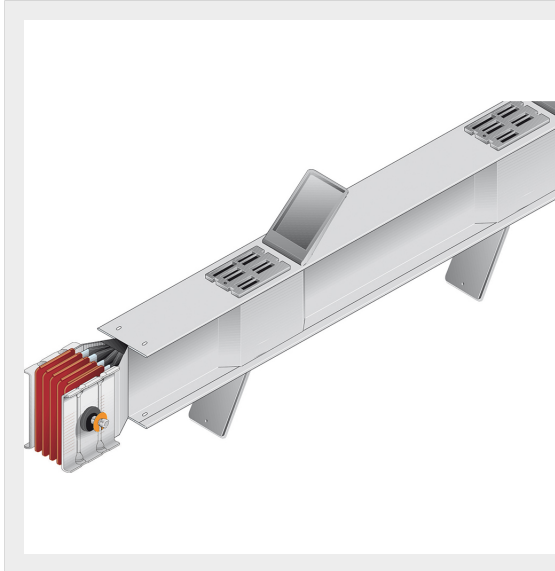




BTICINO > ZUCCHINI busbar > SCP Supercompact > Straight distribution elements




65390978P

Straight element for energy distribution SCP Cu - length 1-1,5m - In= 5000A - double bar

Technical features

Protection index	IP55
Length	1-1.5m
Standard reference	CEI EN 61439-6
N° of compartments	1+1
Rated voltage	1000V
Rated current	5000A
Series	SCP

Documentation

 [Busbar catalogue](#)