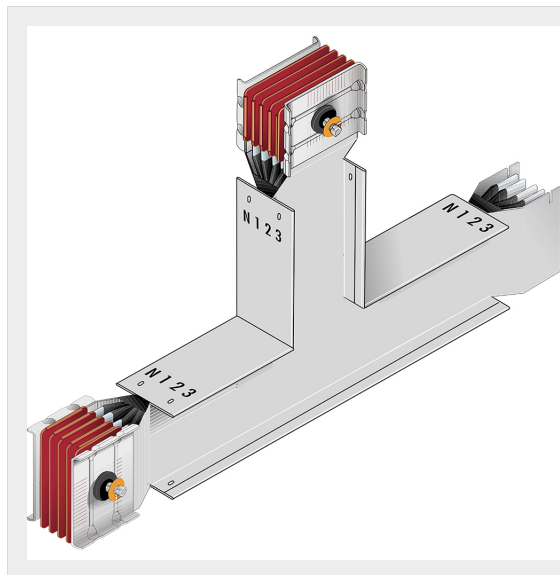


BTICINO > ZUCCHINI busbar > High power busbar > SCP Supercompact > Vertical T-elements

**65390826P**

Vertical T element SCP - Type 3 Cu - In= 4000A - double bar

Technical features

Brand	BTicino
Standard reference	CEI EN 61439-6
Rated voltage	1000Va.c.
Rated current	4000A
Protection index	IP55
Series	SCP

Documentation

 [Busbar catalogue](#)