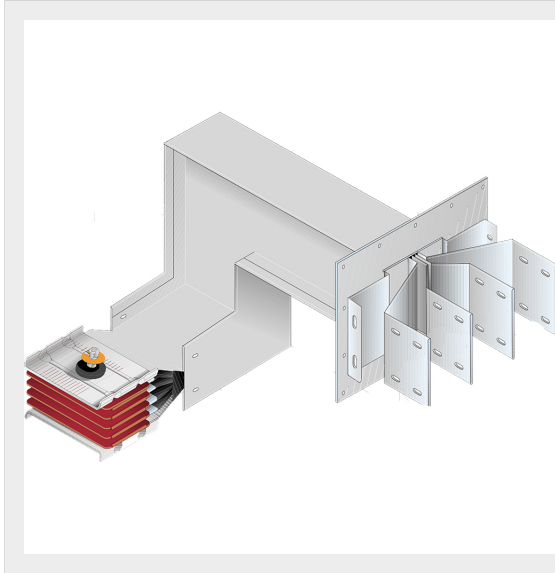




BTICINO > ZUCCHINI busbar > SCP Supercompact > Connection interface with vertical + horizontal elbow



65281560P

Busbar outlet element with vertical + horizontal elbow for busbar SCP - Type 7 Cu - In= 800A

## Technical features

Protection index	IP55
Standard reference	CEI EN 61439-6
Rated voltage	1000V
Rated current	800A
Series	SCP

## Documentation

 [Busbar catalogue](#)