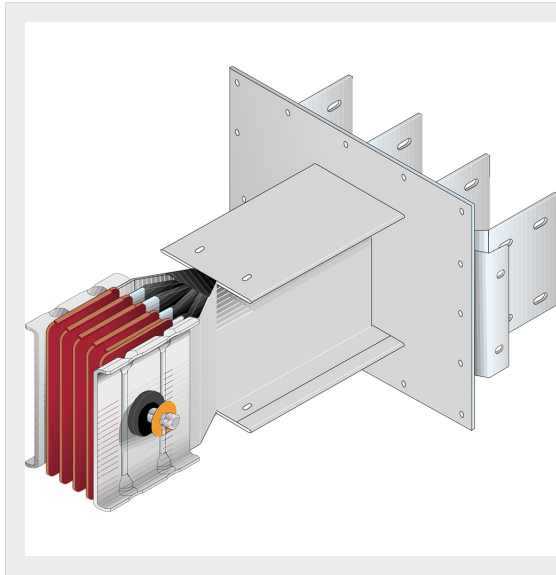



BTICINO > ZUCCHINI busbar > High power busbar > SCP Supercompact > Standard connection interface

**65281016P**Busbar outlet element (left) for busbar SCP Type 1 - Standard
Cu - In= 2000A

Technical features

Brand	BTicino
Standard reference	CEI EN 61439-6
Rated voltage	1000Va.c.
Rated current	2000A
Protection index	IP55
Series	SCP

Documentation

 [Busbar catalogue](#)