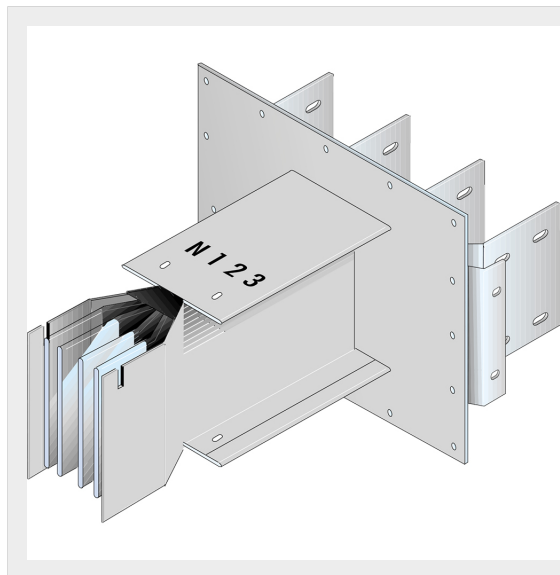


BTICINO > ZUCCHINI busbar > High power busbar > SCP Supercompact > Standard connection interface

**60391004P**

Busbar outlet element (right) for busbar SCP Type 2 - Standard AI - In= 2500A - double bar

Technical features

Brand	BTicino
Standard reference	CEI EN 61439-6
Rated voltage	1000V
Rated current	2500A
Protection index	IP55
Series	SCP

Documentation

 [Busbar catalogue](#)