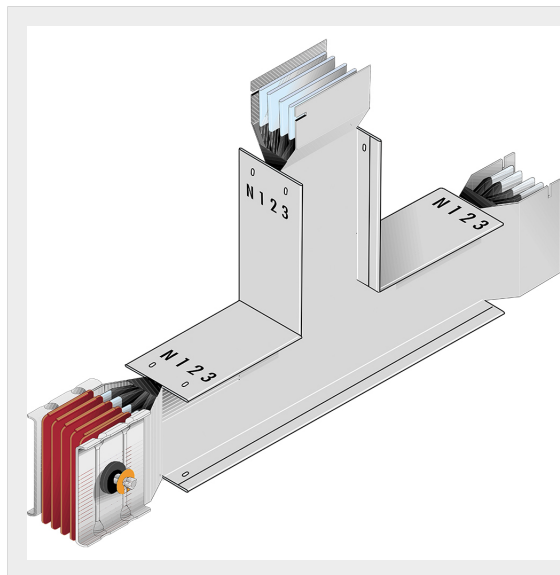




BTICINO > ZUCCHINI busbar > SCP Supercompact > Vertical T-elements



60390837P

Vertical T element SCP - Type 4 Al - In= 4000A - double bar

Technical features

Protection index	IP55
Standard reference	CEI EN 61439-6
Rated voltage	1000V
Rated current	4000A
Series	SCP

Documentation

 [Busbar catalogue](#)