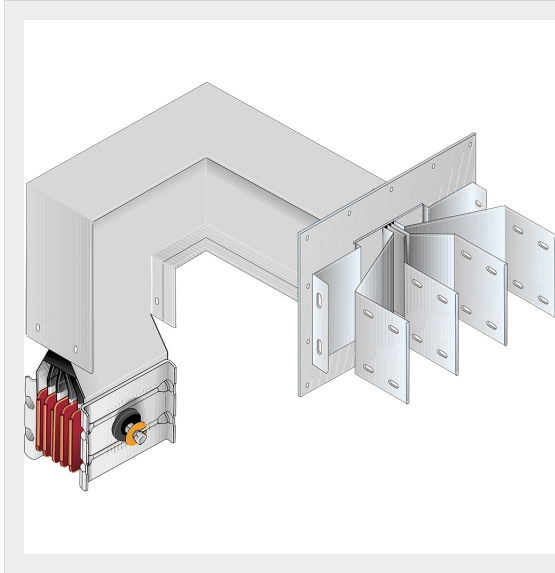


BTICINO > ZUCCHINI busbar > High power busbar > SCP Supercompact > Connection interface with horizontal + vertical elbow

**60281656P**

Busbar outlet element with horizontal + vertical elbow for busbar SCP - Type 6 AI - In= 1600A

Technical features

Brand	BTicino
Standard reference	CEI EN 61439-6
Rated voltage	1000Va.c.
Rated current	1600A
Protection index	IP55
Series	SCP

Documentation

 [Busbar catalogue](#)