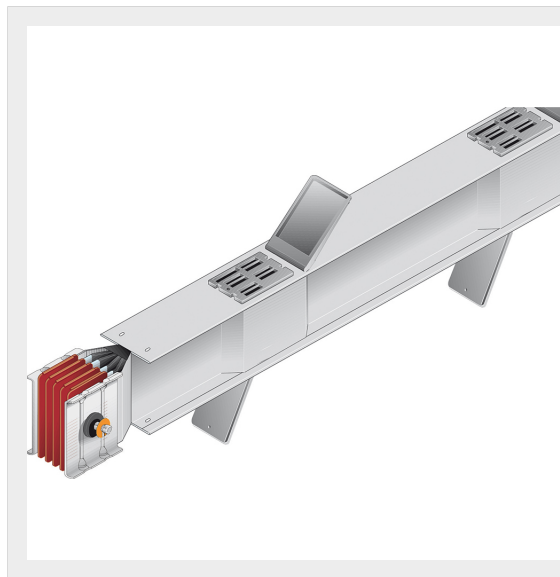


BTICINO &gt; ZUCCHINI busbar &gt; High power busbar &gt; SCP Supercompact &gt; Straight distribution elements

**60280971P**Straight element for energy distribution SCP AI - length 1-1,5m -  
In= 800A

## Technical features

Brand	BTicino
Standard reference	CEI EN 61439-6
Rated voltage	1000Va.c.
Rated current	800A
Protection index	IP55
Length	1-1.5m
N° of compartments	1+1
Series	SCP

## Documentation

 [Busbar catalogue](#)