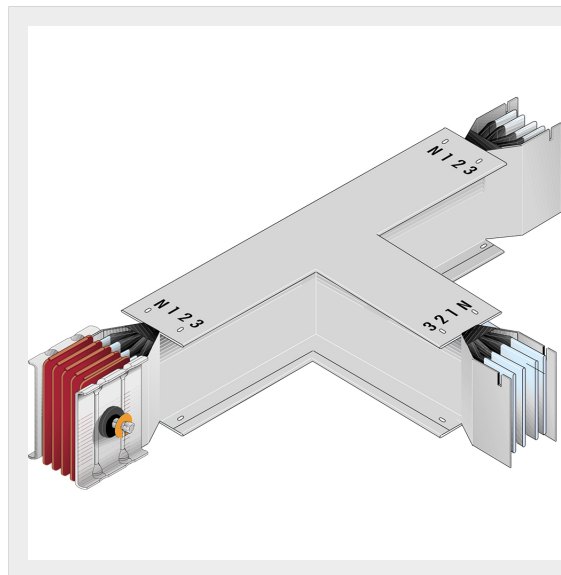


BTICINO &gt; ZUCCHINI busbar &gt; High power busbar &gt; SCP Supercompact &gt; Horizontal T-elements

**60280706P**

Horizontal T element SCP - Type 1 Al - In= 1600A

## Technical features

Brand	BTicino
Standard reference	CEI EN 61439-6
Rated voltage	1000V
Rated current	1600A
Protection index	IP55
Series	SCP

## Documentation

 [Busbar catalogue](#)