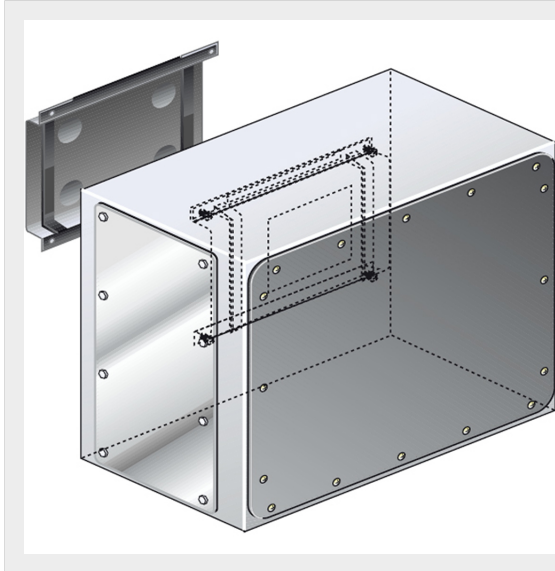




BTICINO > ZUCCHINI busbar > MR Medium Rating > Copper Feed units



55401207

Intermediate feed unit for busbar Cu MR1000 - In=1000A - IP55

Technical features

Protection index	IP55
Standard reference	CEI EN 61439-6
Rated voltage	1000V
Rated current	1000A
Series	MR

Documentation

 [Instructions Sheet](#)

 [Busbar catalogue](#)

Related products



55400117

Straight element
MR1000 Cu without
outlets - In=1000A -
IP52 - length 0.6-1m



55400147

Straight element
MR1000 Cu with 1+1
outlets for side -
In=1000A - IP52 - length
1-1.5m



55400247

Straight element
MR1000 Cu without
outlets - In=1000A -
IP52 - length 3m



55400257

Straight element
MR1000 Cu with 5
outlets on one side only
- In=1000A - IP52 -
length 3m



55400107

Straight element
MR1000 Cu with 3+3
outlets for side -
In=1000A - IP52 - length
3m



55400127

Straight element
MR1000 Cu without
outlets - In=1000A -
IP52 - length 1-1.5m



55400157

Straight element
MR1000 Cu with 2+2
outlets for side -
In=1000A - IP52 - length
1.5-3m