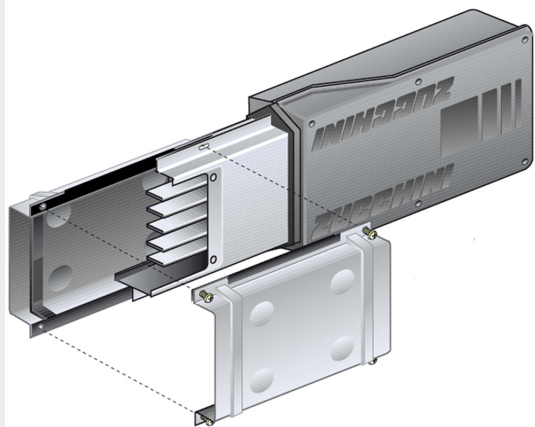


BTICINO > ZUCCHINI busbar > Medium power busbar > MR Medium Rating > Copper Feed units

55401102

Right feed unit (LITTLE) for busbar in Cu MR250 - In=250A - IP55



Technical features

Brand	BTicino
Standard reference	CEI EN 61439-6
Rated voltage	1000Vac
Rated current	250A
Protection index	IP55
Series	MR

Documentation

 [Instruction Sheet](#) [Busbar catalogue](#)