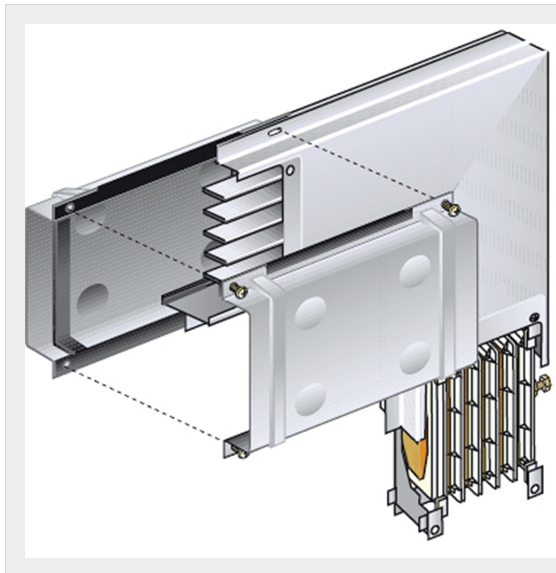


BTICINO > ZUCCHINI busbar > Medium power busbar > MR Medium Rating > Vertical elbows copper



55400412

Vertical elbow (left) in Cu for MR250 - In=250A - IP55

Technical features

Brand	BTicino
Standard reference	CEI EN 61439-6
Rated voltage	1000V
Rated current	250A
Protection index	IP55
Series	MR

Documentation

 [Installation manual](#) [Busbar catalogue](#)

Related products



55400142

Straight element MR250
Cu with 1+1 outlets for
side - In=250A - IP52 -
length 1-1.5m



55400242

Straight element MR250
Cu without outlets -
In=250A - IP52 - length
3m



55400252

Straight element MR250
Cu with 5 outlets on one
side only - In=160A -
IP52 - length 3m



55400102

Straight element MR250
Cu with 3+3 outlets for
side - In=250A - IP52 -
length 3m



55400122

Straight element MR250
Cu without outlets -
In=250A - IP52 - length
1-1.5m



55400152

Straight element MR250
Cu with 2+2 outlets for
side - In=250A - IP52 -
length 1.5-3m



55400112

Straight element MR250
Cu without outlets -
In=250A - IP52 - length
0.6-1m