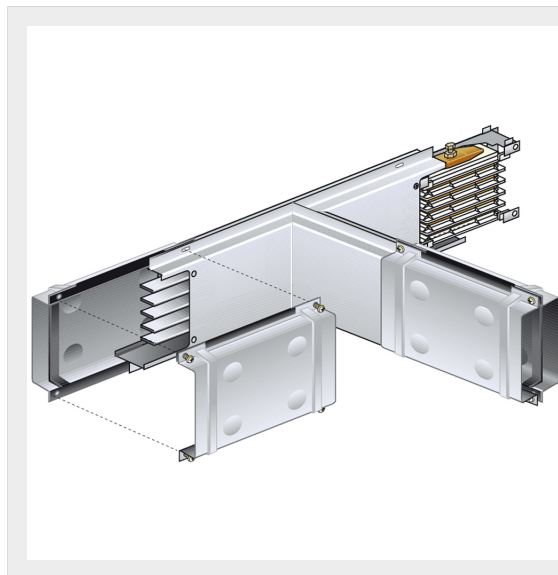


BTICINO > ZUCCHINI busbar > Medium power busbar > MR Medium Rating > T and cross elements



50400735

Horizontal standard T elements for busbar MR AI - In=630A

Technical features

| | |
|--------------------|----------------|
| Brand | BTicino |
| Standard reference | CEI EN 61439-6 |
| Rated current | 630A |
| Protection index | IP55 |
| Width | 300mm |
| Length | 300mm |
| Depth | 300mm |
| Series | MR |

Documentation

 [Installation manual](#) [Busbar catalogue](#)