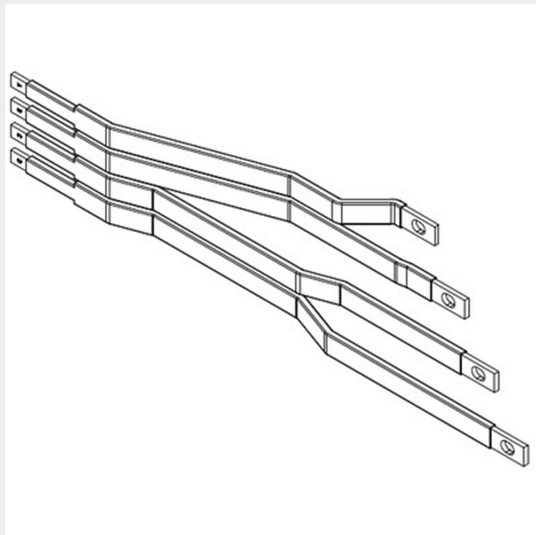


BTICINO > Low voltage energy distribution > TIFAST cabling system and terminals > TIFAST - wiring systems > Vertical distribution up to 800A



TKC250M40E

Connection kit for M2 250 and external busbar compartment for MAS4000 with busbars 800A in aluminium - section 20x5mm

Technical features

Brand	BTicino
Standard reference	CEI EN 61439-1/2
Rated current	250-400A
Series	Tifast

Documentation

 [Instruction Sheet](#)