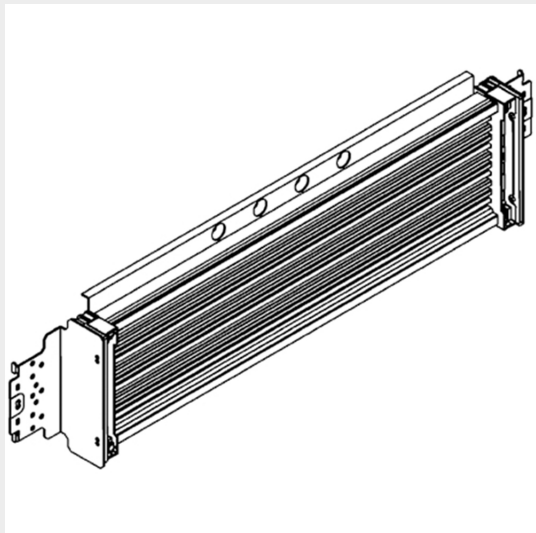


BTICINO &gt; Low voltage energy distribution &gt; TIFAST cabling system and terminals &gt; TIFAST - wiring systems &gt; Horizontal distribution EASY 250/400



## TF250AM36

Busbar system supplied width 850mm 36 modules -  $I_n=250A$  - for distribution boards and cabinets MAS400

### Technical features

Brand	BTicino
Standard reference	CEI EN 61439-1/2
Rated current	250A
Ultimate breaking capacity	4P
Icu	
N° of modules	36
N° of poles	4P
Width	850mm
Series	Tifast

### Documentation

 [Instruction Sheet](#)

## Related products



**TCAL400**

Supply module for Easy TIFAST 250/400 and busbars in lateral compartment



**TC160P4**

Base for Megatiker M1 160 - 4P



**TC250P4**

Base for Megatiker M2 250 - 4P



**TC80NP**

Base for connection plug-in BT DIN 1P - N - blue



**TC80L1P**

Base for connection plug-in BT DIN 1P - L1 - brown



**TC80L2P**

Base for connection plug-in BT DIN 1P - L2 - grey



**TC80L3P**

Base for connection plug-in BT DIN 1P - L3 - black



**TC80P3P**

Base for connection plug-in BT DIN 3P - L1+L2+L3



**TC80P4P**

Base for connection plug-in BT DIN 4P - L1+L2+L3+N