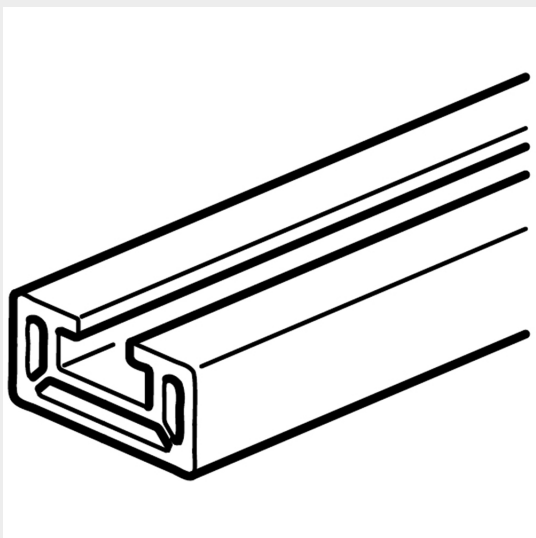


BTICINO > Low voltage energy distribution > TIFAST cabling system and terminals > TIFAST - wiring systems > Vertical distribution up to 400A




TB400CA


Aluminium busbar with "C" shape - In= 400A (IP>30) 500A (IP<30) - length 1600mm - section 150mmq

Technical features

Brand	BTicino
Standard reference	CEI EN 61439-1/2
Rated current	400A
Length	1.6m
Series	Mas

Documentation

 [Environment. Product Declaration](#)

 [Mas400 catalogue](#)

Related products

