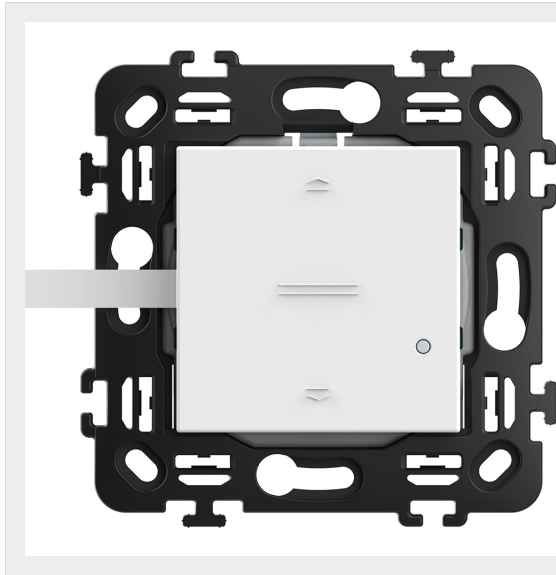


BTICINO > Wiring devices > Classia > Classia Smart - European version > Wireless controls for light and shutters



RW4027CW

Rolling shutter wireless switch - It allows the control of one or more connected rolling shutter switches. Surface installation with repositionable stickers (supplied) or onto a flush mounting box. Integrated LED for low battery indication. Powered by battery 3V type CR2032 (supplied) with an autonomy of 8 years - 2 modules - white

Documentation

 [Classia Catalogue](#)