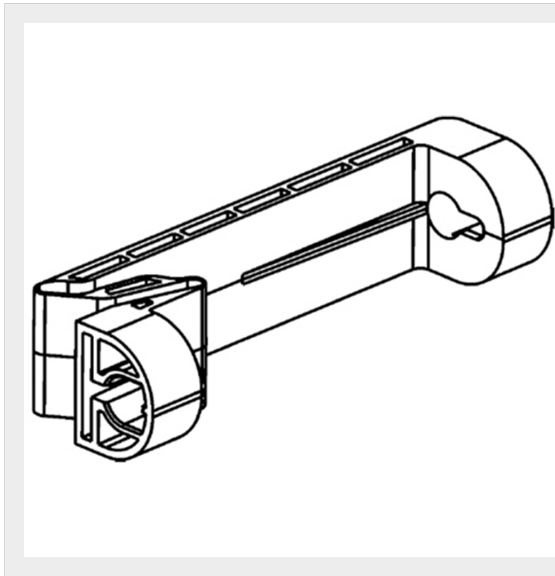


BTICINO > Low voltage energy distribution > Switchboards > Accessories for IDROBOARD switchboards




F107NCH

Set of 2 hinges to fasten the switchboard bottom and door for IDROBOARD

Technical features

| | |
|--------|-----------|
| Series | Idroboard |
|--------|-----------|

Documentation

 [Instructions Sheet](#)

Related products



F107N36D2

IDROBOARD resin wall-mounting switchboard IP65 for 36 modules DIN (2x18)



F107N6D

IDROBOARD resin wall-mounting switchboard IP65 for 6 modules DIN



F107N24D

IDROBOARD resin wall-mounting switchboard IP65 for 24 modules DIN (2x12)



F107N54D

IDROBOARD resin wall-mounting switchboard IP65 for 54 modules DIN (3x18)



F107N4D

IDROBOARD resin wall-mounting switchboard IP65 for 4 modules DIN



F107N8D

IDROBOARD resin wall-mounting switchboard IP65 for 8 modules DIN



F107N36D3

IDROBOARD resin wall-mounting switchboard IP65 for 36 modules DIN (3x12)



F107N72D

IDROBOARD resin wall-mounting switchboard IP65 for 72 modules DIN (4x18)



F107N18D

IDROBOARD resin wall-mounting switchboard IP65 for 18 modules DIN



F107N12D

IDROBOARD resin wall-mounting switchboard IP65 for 18 modules DIN