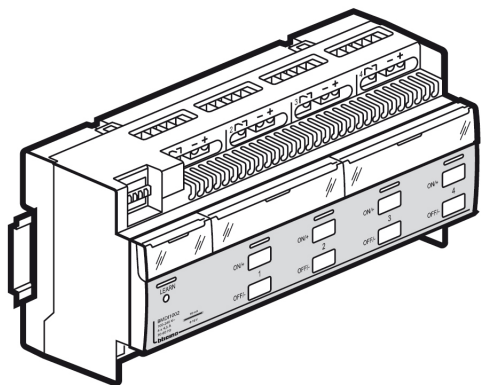


BTICINO > Wiring devices > Stand alone solutions for lighting management > SCS sensors







BMDI1002

Dimmer SCS 1/10V, "Zero Crossing" technology, 4 outputs with maximum load 4,3 A at 230Vac, terminal connection and RJ45, protection degree IP20, 10 modules DIN, power supply 100/240Vac 50/60 Hz, pushbutton for Push&Learn procedure, pushbutton for direct command of the load

Technical features

Brand	BTicino
Rated voltage	100-240Vac
N° of modules	10
Series	MyHome

Documentation

-  [DWG drawing](#)
-  [Technical guide](#)
-  [Technical Guide](#)
-  [Living Now english catalogue](#)