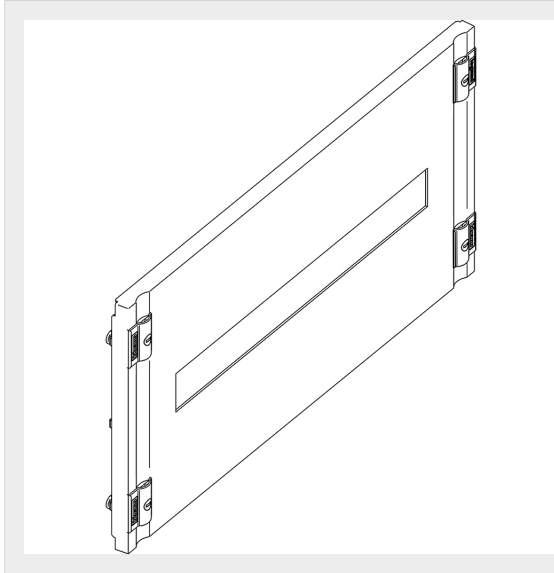


BTICINO > Low voltage energy distribution > Distribution boards and enclosures > MAS400 - Compact distribution boards and cabinets > Plastic panels






9533/24PL

Front panel with screws 1/4 turn (plastic) and DIN35 window for 24 modules 600x300mm

Technical features

Brand	BTicino
Standard reference	CEI EN 61439-1/2
N° of modules	24
Height	300mm
Width	600mm
Series	Mas

Documentation

-  [Mas800 catalogue](#)
-  [Mas400 catalogue](#)
-  [Mas4000 catalogue](#)

Related products



93600NC

DIN35 rail - width 600mm - 24 modules - for distribution boards and cabinets MAS400



93600N

DIN35 rail - width 600mm - 24 modules - for distribution boards and cabinets MAS800



9531PCMEN

Fixing plate with DIN35 rail for M1 160 and M2 250 with earth leakage module in vertical for LDX-P, ...

We, Bticino S.p.A Viale Borri 231 21100 Varese (Italy), declare that all items listed in Bticino catalogues, have been manufactured in compliance with the principal elements of safety objectives of European Directive said LVD: 2014/35/EU: 26 February 2014 and, where requested, also in compliance with essential protection requirements of electromagnetic compatibility according to European Directive 2014/30/EU: 26 February 2014, and/or where requested also in compliance with 1995/5/CE: 9 March 1999 "R&TTE" or where requested also in compliance with 2014/53/EU: 16 April 2014 "RED". Bticino S.p.A. products are in compliance with the standard published by the International Electrotechnical Commission (IEC). The compliance can be proved by Certificates issued by organizations recognized by IEC according to the CB-scheme. Our items comply with relevant European Product- Standards and show, whether provided, CE marking, they have been constructed in accordance with good engineering practice in safety matters in force in the Community, they do not endanger the safety of persons, domestic animals or property when properly installed and maintained and used in applications for which they were made.

