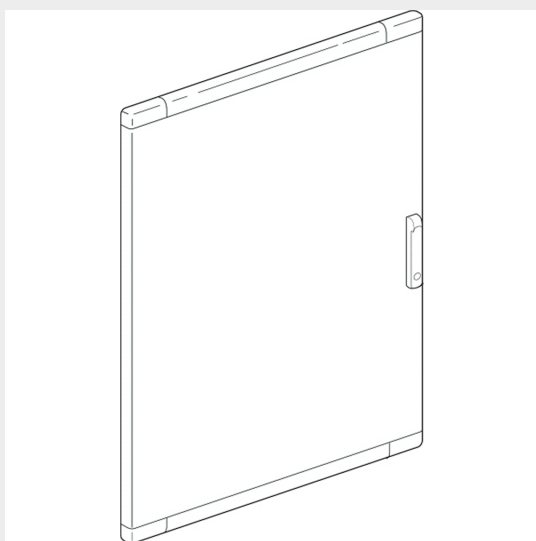


BTICINO > Low voltage energy distribution > Distribution boards and enclosures > MAS400 - Compact distribution boards and cabinets > Wall mounted distribution board doors




93860L


Blank door for distribution boards LDX400, LDX800
850x1200mm

Technical features

Brand	BTicino
Standard reference	CEI EN 61439-1/2
Height	1.2m
Width	850mm
Series	Mas 400

Documentation

 [Mas800 catalogue](#)

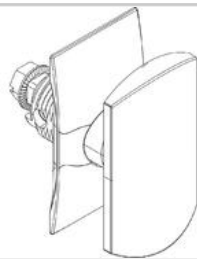
 [Mas400 catalogue](#)

Related products



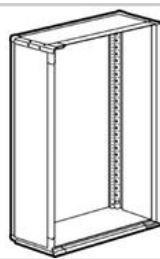
93850

LDX800 - wall-mounting
distribution board
850x1000mm



93860S

"T" handle for SDX
distribution boards



93860Q

LDX400 - wall-mounting
distribution board
850x1200mm