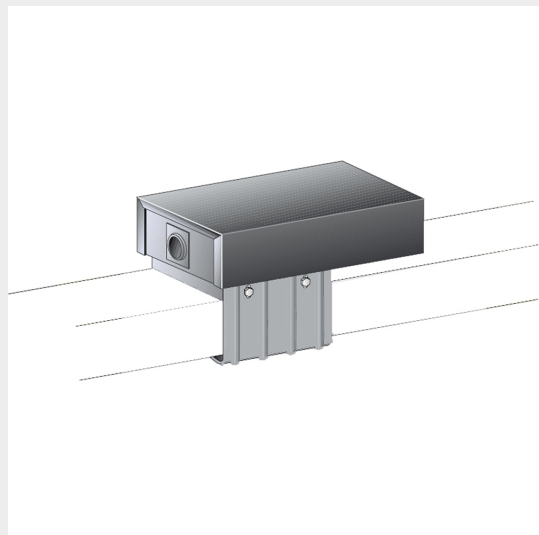


BTICINO > ZUCCHINI busbar > Medium power busbar > TS Trolley System > Feed units

82001101

Intermediate feed unit for busbar TS250 - In=250A



Technical features

Brand	BTicino
Standard reference	CEI EN 61439-6
Rated voltage	600V
Rated current	250A
Protection index	IP20
Series	TS

Documentation

 [Busbar catalogue](#)