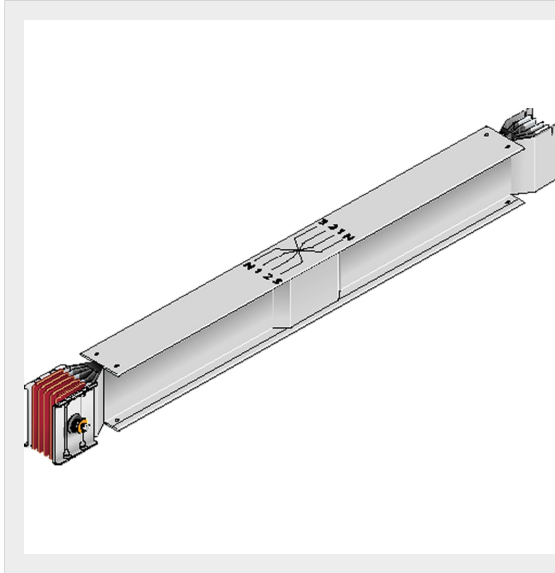


BTICINO > ZUCCHINI busbar > High power busbar > SCP Supercompact > Phase inversion straight elements

**65397128P**

Transposition straight element SCP Cu - In= 5000A - double bar

Technical features

Brand	BTicino
Standard reference	CEI EN 61439-6
Rated voltage	1000Vac
Rated current	5000A
Protection index	IP55
Series	SCP

Documentation

 [Busbar catalogue](#)