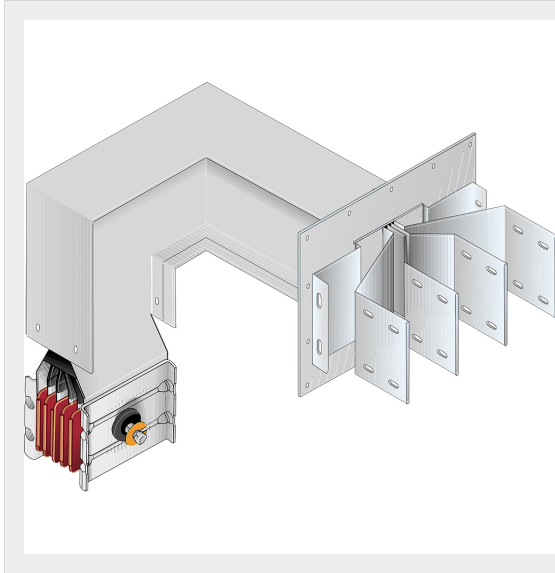


BTICINO &gt; ZUCCHINI busbar &gt; High power busbar &gt; SCP Supercompact &gt; Connection interface with horizontal + vertical elbow


**65391665P**

Busbar outlet element with horizontal + vertical elbow for busbar SCP - Type 7 Cu - In= 3200A - double bar

## Technical features

Brand	BTicino
Standard reference	CEI EN 61439-6
Rated voltage	1000V
Rated current	3200A
Protection index	IP55
Series	SCP

## Documentation

 [Busbar catalogue](#)