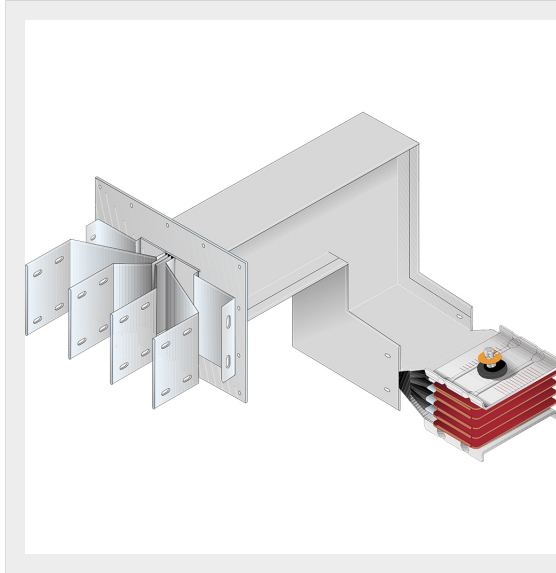




BTICINO > ZUCCHINI busbar > SCP Supercompact > Connection interface with vertical + horizontal elbow



65391576P

Busbar outlet element with vertical + horizontal elbow for busbar SCP - Type 8 Cu - In= 4000A - double bar

Technical features

Protection index	IP55
Standard reference	CEI EN 61439-6
Rated voltage	1000V
Rated current	4000A
Series	SCP

Documentation

 [Busbar catalogue](#)