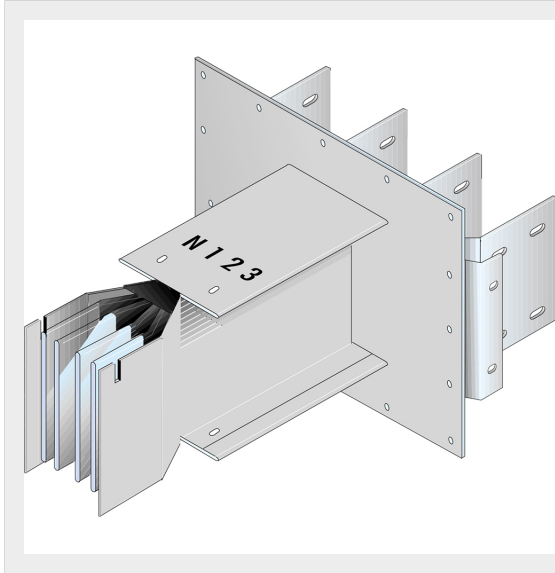




BTICINO > ZUCCHINI busbar > SCP Supercompact > Standard connection interface




65391026P

Busbar outlet element (right) for busbar SCP Type 2 - special Cu
- In= 4000A - double bar

Technical features

Protection index	IP55
Standard reference	CEI EN 61439-6
Rated voltage	1000V
Rated current	4000A
Series	SCP

Documentation

 [Busbar catalogue](#)