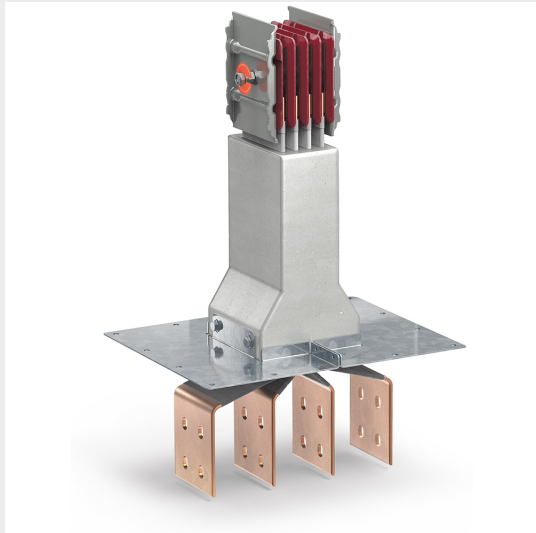


BTICINO &gt; ZUCCHINI busbar &gt; High power busbar &gt; RCP resin busbar IP68 &gt; Connection interfaces




**65391015R**

Connection interface left RCP in resin - conductors CU - rated current 3200A

## Technical features

Brand	BTicino
Standard reference	IEC 61439-6
Rated voltage	1000Vac
Rated current	3200A
Protection index	IP55
Series	RCP

## Documentation

-  [Installation manual](#)
-  [Busbar catalogue](#)
-  [Catalogue RCP](#)