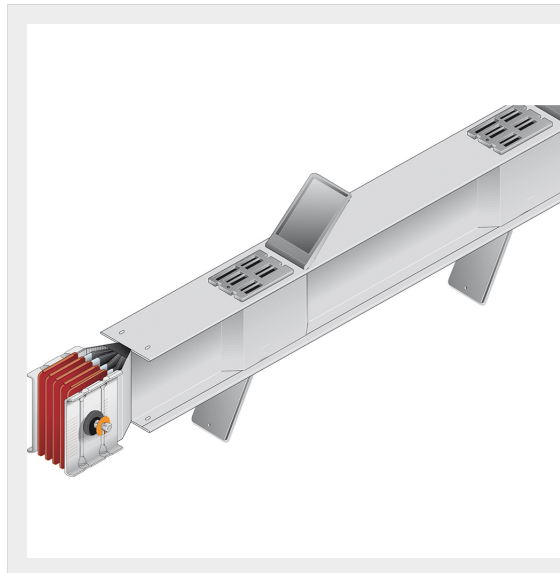




BTICINO > ZUCCHINI busbar > SCP Supercompact > Straight distribution elements



65390986P

Straight element for energy distribution SCP Cu - length 2-2,5m -  
In= 4000A - double bar

## Technical features

Protection index	IP55
Length	2-2.5m
Standard reference	CEI EN 61439-6
N° of compartments	2+2
Rated voltage	1000V
Rated current	4000A
Series	SCP

## Documentation

 [Busbar catalogue](#)