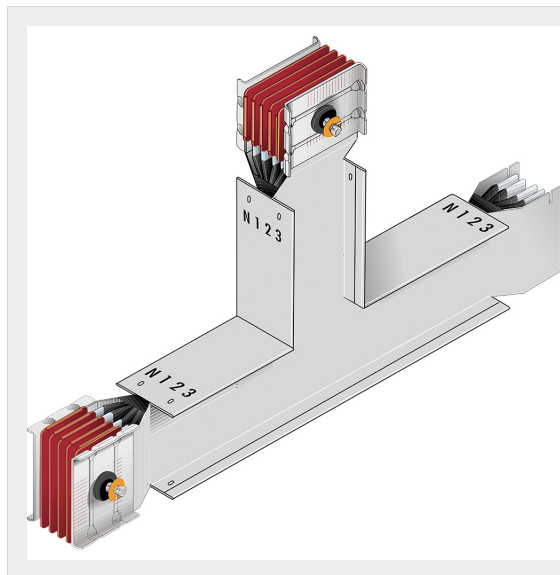


BTICINO > ZUCCHINI busbar > High power busbar > SCP Supercompact > Vertical T-elements


**65390825P**

Vertical T element SCP - Type 3 Cu - In= 3200A - double bar

Technical features

Brand	BTicino
Standard reference	CEI EN 61439-6
Rated voltage	1000Vac
Rated current	3200A
Protection index	IP55
Series	SCP

Documentation

 [Busbar catalogue](#)