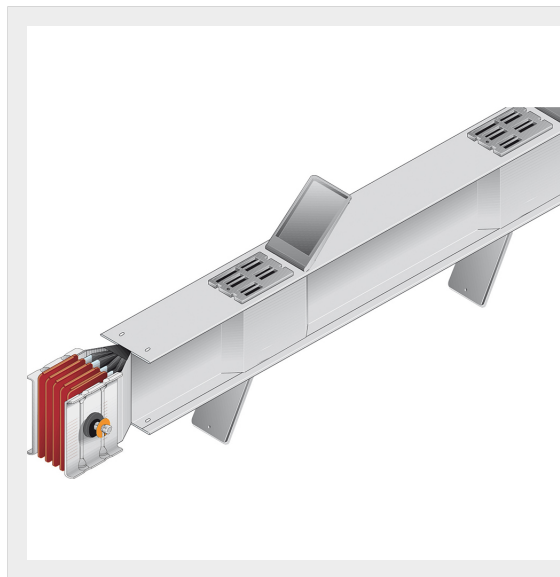


BTICINO &gt; ZUCCHINI busbar &gt; High power busbar &gt; SCP Supercompact &gt; Straight distribution elements



## 65390135P

Straight element for energy distribution SCP Cu - length 3m - In=3200A - double bar

### Technical features

Brand	BTicino
Standard reference	CEI EN 61439-6
Rated voltage	1000Va.c.
Rated current	3200A
Protection index	IP55
Length	3m
N° of compartments	3+3
Series	SCP

### Documentation

 [Busbar catalogue](#)