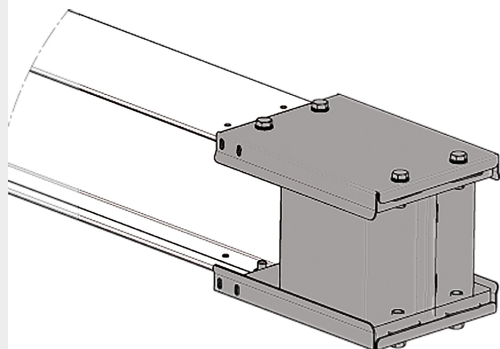


BTICINO > ZUCCHINI busbar > High power busbar > SCP Supercompact > End cover

65283101P

XCP-HP - end cover IP55 - In= 630-800-1000-1250A (Al)



Technical features

| | |
|--------------------|--------------------|
| Brand | BTicino |
| Standard reference | IEC 61439-6 |
| Rated voltage | 1000V |
| Rated current | 630-800-1000-1250A |
| Protection index | IP55 |
| Series | Zucchini XCP-HP |

Documentation

 [Busbar catalogue](#) [Catalogue](#)