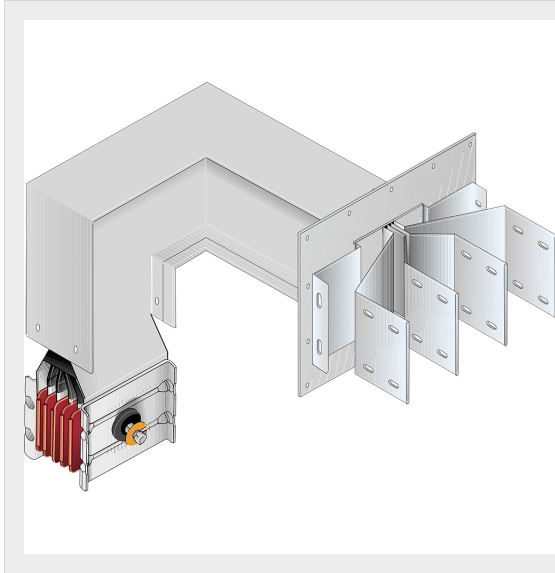




BTICINO > ZUCCHINI busbar > SCP Supercompact > Connection interface with horizontal + vertical elbow



65281663P

Busbar outlet element with horizontal + vertical elbow for busbar SCP - Type 7 Cu - In= 1250A

Technical features

Protection index	IP55
Standard reference	CEI EN 61439-6
Rated voltage	1000V
Rated current	1250A
Series	SCP

Documentation

 [Busbar catalogue](#)