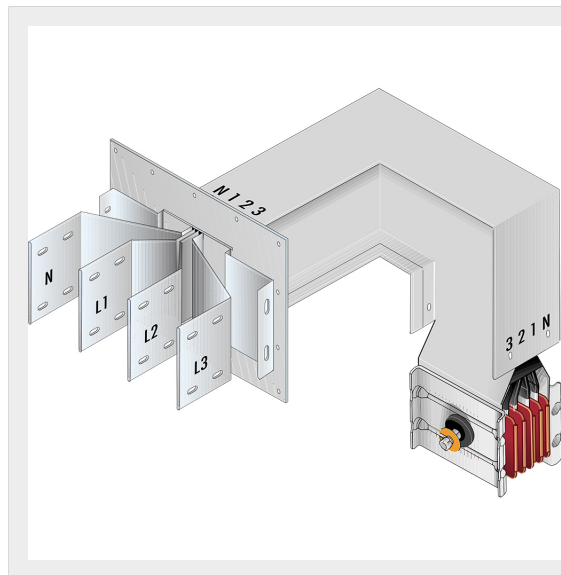


BTICINO > ZUCCHINI busbar > High power busbar > SCP Supercompact > Connection interface with horizontal + vertical elbow

**65281641P**

Busbar outlet element with horizontal + vertical elbow for busbar SCP - Type 5 Cu - In= 1000A

Technical features

| | |
|--------------------|----------------|
| Brand | BTicino |
| Standard reference | CEI EN 61439-6 |
| Rated voltage | 1000Vac |
| Rated current | 1000A |
| Protection index | IP55 |
| Series | SCP |

Documentation

 [Busbar catalogue](#)