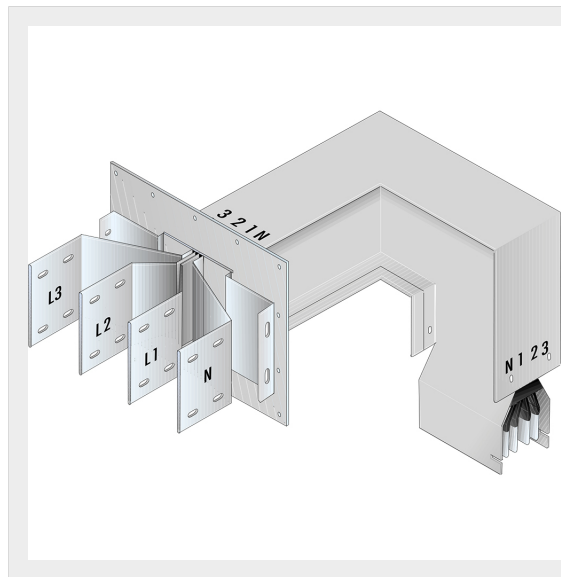


BTICINO &gt; ZUCCHINI busbar &gt; High power busbar &gt; SCP Supercompact &gt; Connection interface with horizontal + vertical elbow



## 65281631P

Busbar outlet element with horizontal + vertical elbow for busbar SCP - Type 4 Cu - In= 1000A

### Technical features

Brand	BTicino
Standard reference	CEI EN 61439-6
Rated voltage	1000Va.c.
Rated current	1000A
Protection index	IP55
Series	SCP

### Documentation

 [Busbar catalogue](#)