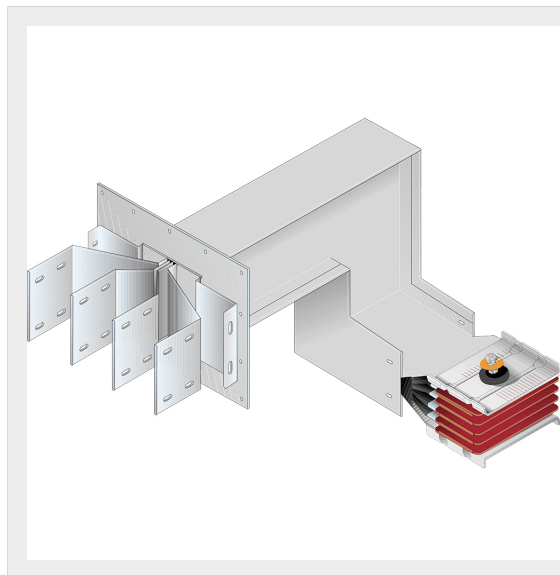


BTICINO &gt; ZUCCHINI busbar &gt; High power busbar &gt; SCP Supercompact &gt; Connection interface with vertical + horizontal elbow

**65281573P**

Busbar outlet element with vertical + horizontal elbow for busbar SCP - Type 8 Cu - In= 1250A

## Technical features

|                    |                |
|--------------------|----------------|
| Brand              | BTicino        |
| Standard reference | CEI EN 61439-6 |
| Rated voltage      | 1000Va.c.      |
| Rated current      | 1250A          |
| Protection index   | IP55           |
| Series             | SCP            |

## Documentation

 [Busbar catalogue](#)