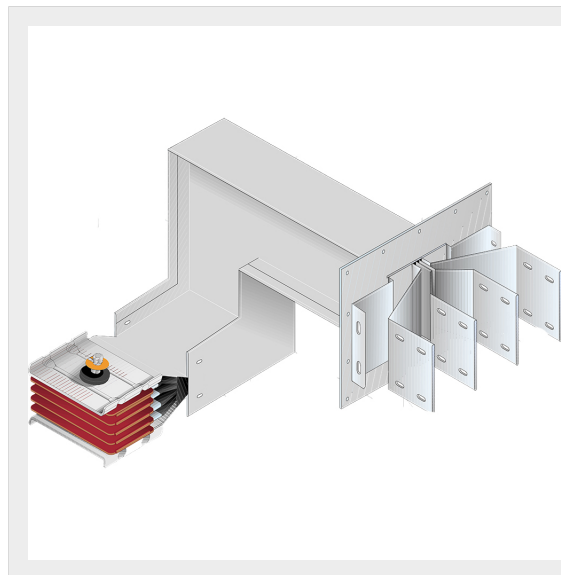


BTICINO &gt; ZUCCHINI busbar &gt; High power busbar &gt; SCP Supercompact &gt; Connection interface with vertical + horizontal elbow

**65281555P**

Busbar outlet element with vertical + horizontal elbow for busbar SCP - Type 6 Cu - In= 1600A

## Technical features

Brand	BTicino
Standard reference	CEI EN 61439-6
Rated voltage	1000V
Rated current	1600A
Protection index	IP55
Series	SCP

## Documentation

 [Busbar catalogue](#)