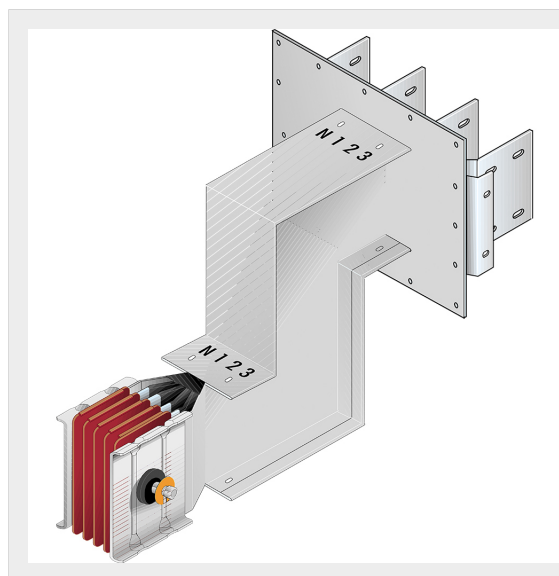


BTICINO > ZUCCHINI busbar > High power busbar > SCP Supercompact > Connection interface with double vertical elbow



65281475P

Busbar outlet element with double vertical elbow for busbar SCP
- Type 4 Cu - In= 1600A

Technical features

Brand	BTicino
Standard reference	CEI EN 61439-6
Rated voltage	1000V
Rated current	1600A
Protection index	IP55
Series	SCP

Documentation

 [Busbar catalogue](#)