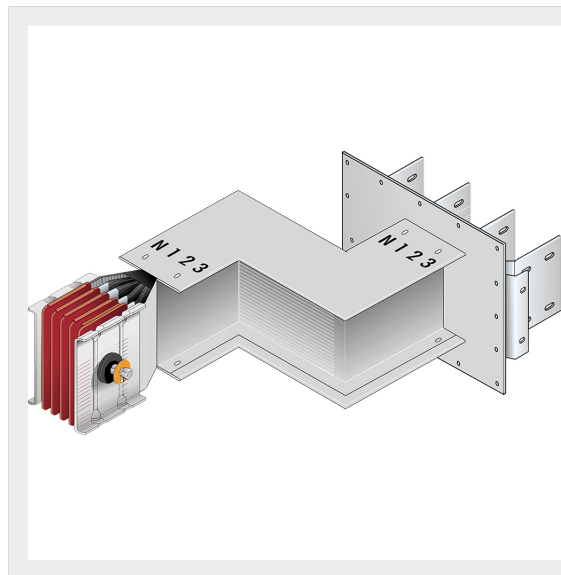


BTICINO > ZUCCHINI busbar > High power busbar > SCP Supercompact > Connection interface with double horizontal elbow

**65281368P**

Busbar outlet element with double horizontal elbow for busbar SCP - Type 3 Cu - In= 2500A

Technical features

Brand	BTicino
Standard reference	CEI EN 61439-6
Rated voltage	1000V
Rated current	2500A
Protection index	IP55
Series	SCP

Documentation

 [Busbar catalogue](#)