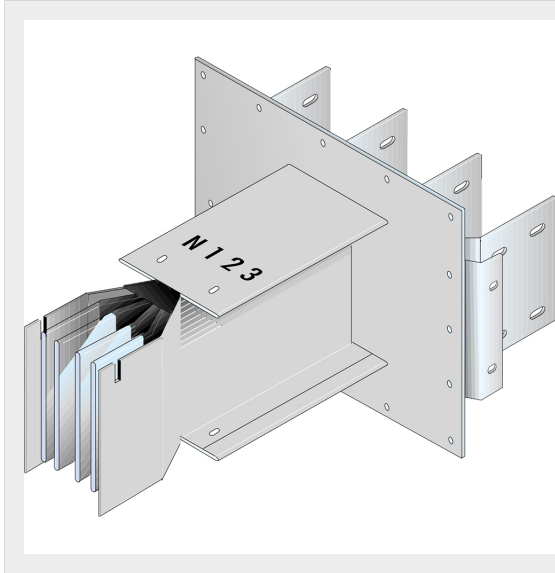


BTICINO > ZUCCHINI busbar > High power busbar > SCP Supercompact > Standard connection interface

**65281023P**Busbar outlet element (right) for busbar SCP Type 2 - special Cu
- In= 1250A

Technical features

Brand	BTicino
Standard reference	CEI EN 61439-6
Rated voltage	1000Vac
Rated current	1250A
Protection index	IP55
Series	SCP

Documentation

 [Busbar catalogue](#)