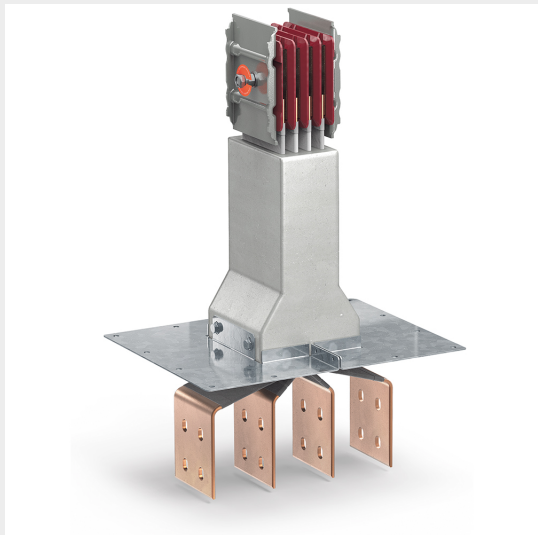


BTICINO > ZUCCHINI busbar > High power busbar > RCP resin busbar IP68 > Connection interfaces


**65281015R**

Connection interface left RCP in resin - conductors CU - rated current 1600A

Technical features

Documentation

Brand	BTicino
Standard reference	IEC 61439-6
Rated voltage	1000V
Rated current	1600A
Protection index	IP55
Series	RCP

 [Installation manual](#) [Busbar catalogue](#) [Catalogue RCP](#)