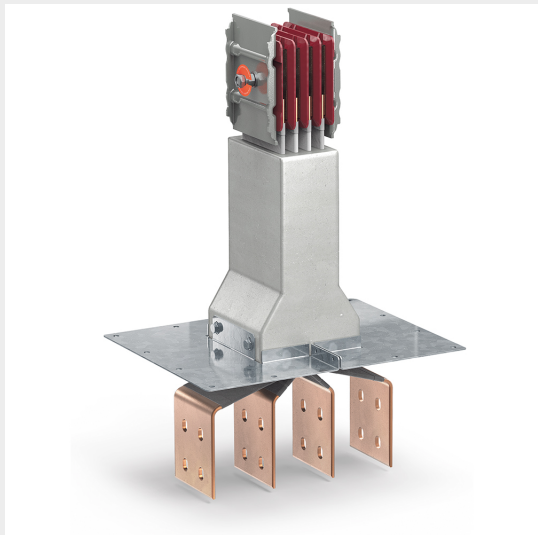


BTICINO &gt; ZUCCHINI busbar &gt; High power busbar &gt; RCP resin busbar IP68 &gt; Connection interfaces




**65281013R**

Connection interface left RCP in resin - conductors CU - rated current 1250A

## Technical features

## Documentation

Brand	BTicino
Standard reference	IEC 61439-6
Rated voltage	1000V
Rated current	1250A
Protection index	IP55
Series	RCP

-  [Installation manual](#)
-  [Busbar catalogue](#)
-  [Catalogue RCP](#)