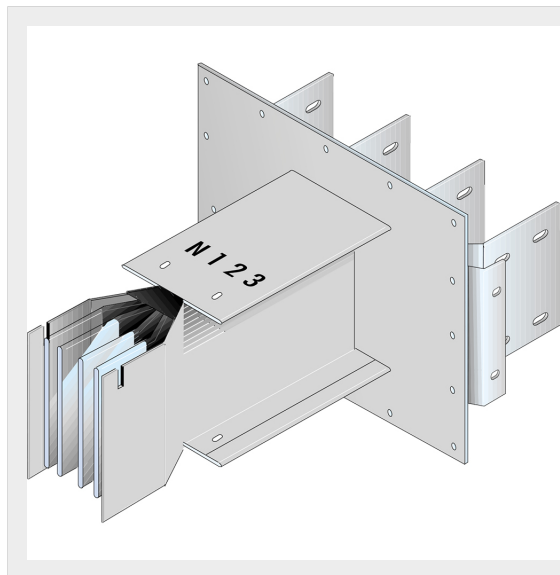


BTICINO > ZUCCHINI busbar > High power busbar > SCP Supercompact > Standard connection interface

**65281001P**Busbar outlet element (right) for busbar SCP Type 2 - Standard
Cu - In= 1000A

Technical features

Brand	BTicino
Standard reference	CEI EN 61439-6
Rated voltage	1000Vac
Rated current	1000A
Protection index	IP55
Series	SCP

Documentation

 [Busbar catalogue](#)