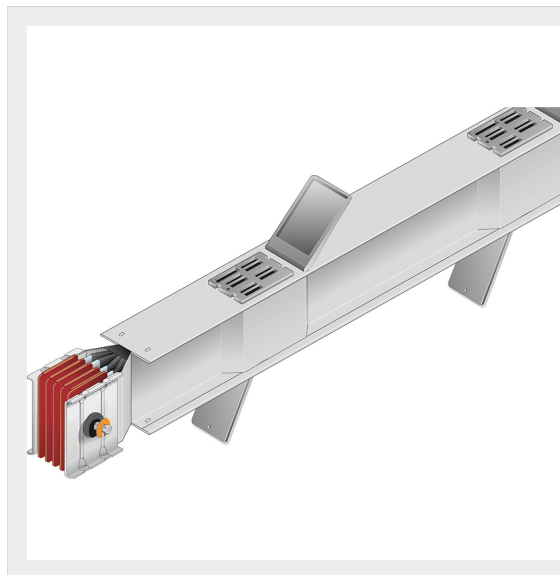


BTICINO > ZUCCHINI busbar > High power busbar > SCP Supercompact > Straight distribution elements

**65280978P**Straight element for energy distribution SCP Cu - length 1-1,5m -
In= 2500A

Technical features

Documentation

| | |
|--------------------|----------------|
| Brand | BTicino |
| Standard reference | CEI EN 61439-6 |
| Rated voltage | 1000Va.c. |
| Rated current | 2.5kA |
| Protection index | IP55 |
| Length | 1-1.5m |
| N° of compartments | 1+1 |
| Series | SCP |

 [Busbar catalogue](#)