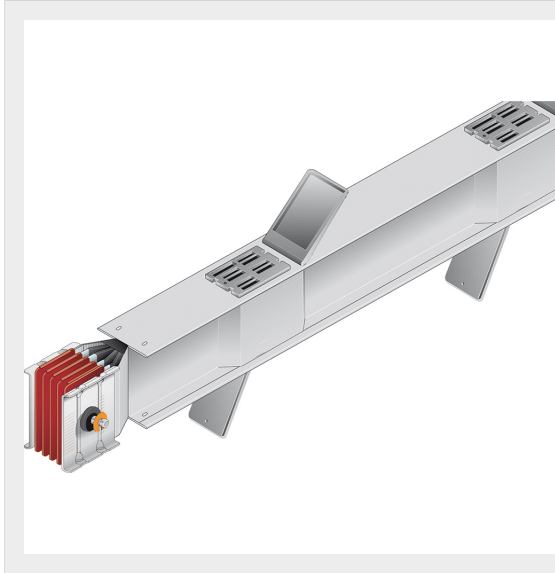


BTICINO &gt; ZUCCHINI busbar &gt; High power busbar &gt; SCP Supercompact &gt; Straight distribution elements

**65280971P**Straight element for energy distribution SCP Cu - length 1-1,5m -  
In= 1000A

## Technical features

Brand	BTicino
Standard reference	CEI EN 61439-6
Rated voltage	1000V
Rated current	1000A
Protection index	IP55
Length	1-1.5m
N° of compartments	1+1
Series	SCP

## Documentation

 [Busbar catalogue](#)